



M3 Series Multiple Patent Switchable or Push to Reset Fuseholder - Type Thermal Circuit Breaker

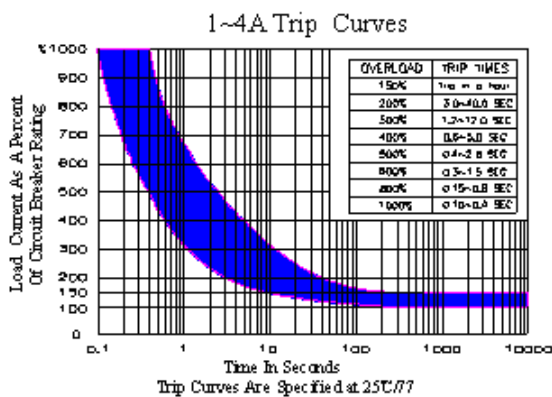
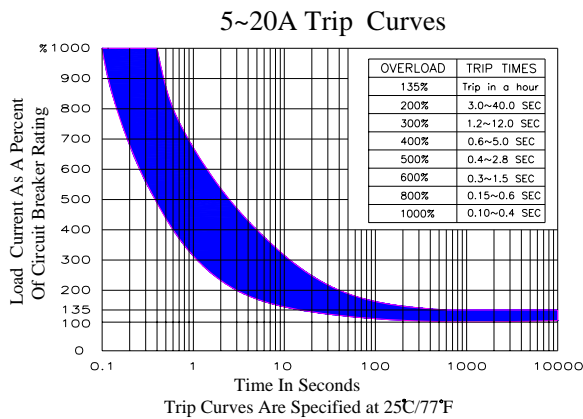
Features

- Compact rocker – actuated or push to reset design.
- 1 to 20 amp ratings.
- Replaces slow blow glass cartridge fuse.
- Labor-saving snap-in mounting.
- Various color, marking and termination options.

Technical data

Rated voltage	AC 125/250V DC 50V
Rated current	1-20 A
Interrupt Capacity	1000A
Dielectric strength	1500VAC/1min
Insulation resistance	≥ 100 MΩ, 500VDC
Resettable Overload Capacity	Six times rated current (1-4A) Ten times rated current (5-20A)
Switch Endurance Cycling	Over 6,000 operations at rating current
Weight	Approx 8.4g

Time vs. Current Trip Curve @ +25°C



Approval

Approval & File No.	Rated current range	Rated voltage
cUL E95802	1-20 A	125/250VAC 50VDC
VDE 40013760	1-16 A	250VAC 50VDC

Typical Resistance vs. Current Rating @ +25°C

Current Rating in Amps	Typical Resistance in Ohms	Current Rating in Amps	Typical Resistance in Ohms
1.0	0.450	8.0	0.032
2.0	0.200	10.0	0.025
3.0	0.100	12.0	0.021
4.0	0.060	15.0	0.017
5.0	0.050	16.0	0.016
6.0	0.042	20.0	0.0125
7.0	0.036		

Mechanical/Environmental Data

Operating Temperature Range: -10 °C to +50 °C.

Termination: 250" (6.35 mm) quick connects or solder terminals

Mounting: Snaps into 1.122" x .531" (28.5 X 13.5) panel cutout .

Ambient Compensation Table

Ambient Temperature In °C	Rating Correction Factor	
	1-6A Models	7-20A Models
10	.80	.80
20	.90	.90
25	1.00	1.00
30	1.10	1.05
40	1.25	1.15
50	1.61	1.25
60	2.15	1.40

The unit is calibrated for ambient temperature of +25°C. To determine the rated current for a lower or higher ambient temperature, use correction factor as above.

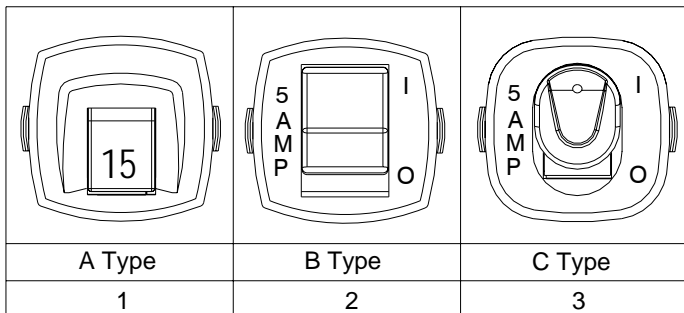
Ordering Information

Typical Part No. ▶	M 3	P	05 -	A	1	1	A	1
1. Model No:	M 3							
2. Circuit Function:	P = Series Trip , Push-to-Reset Button S = Series Trip, Switchable Rocker							
3. Specify Amp Rating:	01 = 1A 02 = 2A ... 16 = 16A 20= 20A							
4. Terminals	A = .25" Tab B = .25" Quick Connect							
5. Bezel Color:	1= Black							
6. Rocker and indicator color:	1= Black with Red Indicator 2= Black with White Indicator 3= Black with Green Indicator							
7. Marking option:	1=A Type 2=B Type 3=C Type							
8. Approval:	1=UL/cUL 2=UL/cUL/VDE							

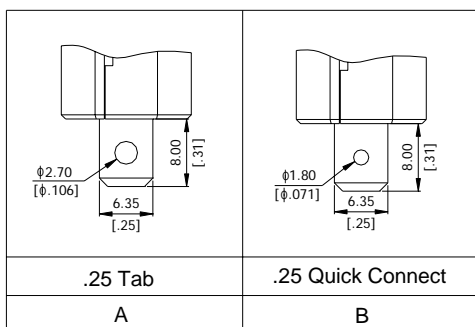
Ordering Note:

Some option illustrated below may be not listed in the "Ordering Information" chart above. Other base and cover colors and terminal type are also available on a special order basis. Due to ongoing technological advances, We will change this ordering information at fact.

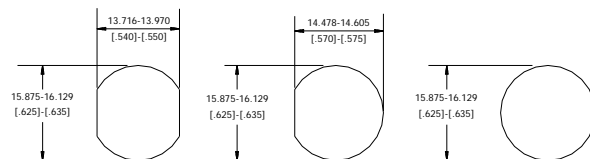
Marking option:



Terminals



Recommended Panel Cutouts



Note:

Recommended Panel Thickness: .032" - .062" (.813mm-1.574mm)